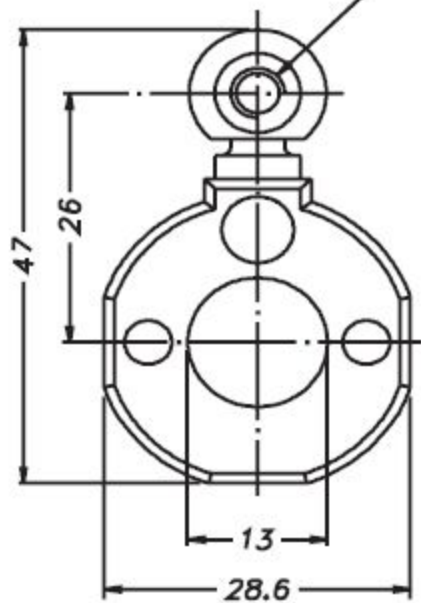
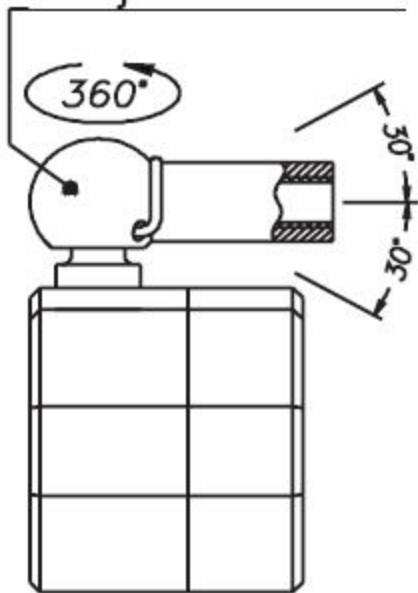


M5 hole
depth 10



Ball joint



Cursor (B) PCUR033