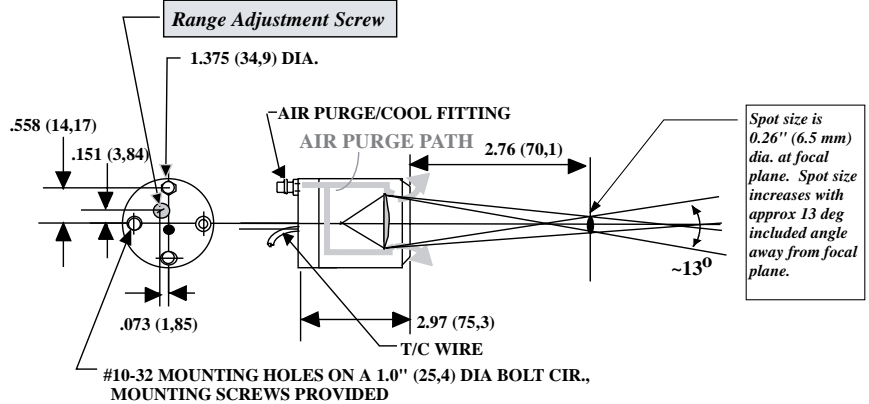


# Adjustable Models

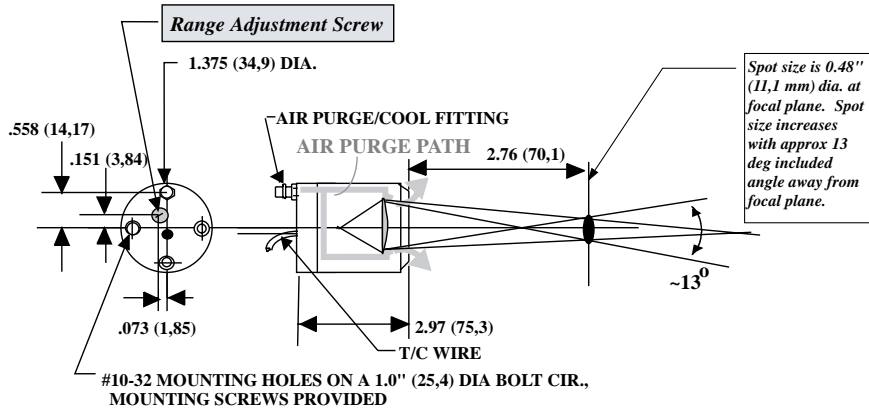
## IRt/c.6AMF

Medium Focus  
0.26" (6.5 mm) Spot



## IRt/c.12AMF

Medium Focus  
0.48" (11.1 mm) Spot



	IRt/c.6AMF		IRt/c.12AMF
Target Surface Type	Hi E (non-metal)	Lo E (metal)	Lo E (metal)
Sensing Range	0 to 2500°F (-18 to 1370°C)	700 to 2500°F (370 to 1370°C)	400 to 2500°F 200 to 1370°C)
Optimum Range Selections	One model each J, K; adjustable over entire sensing range, output tables available		
Minimum Spot Size at Focus	0.26" (6.5 mm) at 3" (76 mm) from sensor		0.48" (11.1 mm) at 3" (76 mm) from sensor
Field-of-View (non-focus)	13° approximately		
Spectral Response	2 to 20 μ	0.1 to 5 μ	0.1 to 5 μ
Output Impedance	10 Kohms approx		
Cable	Twisted shielded pair of base thermocouple material (J,K,etc.), 3 ft (.9 m) std length, Teflon sheathed, rated to 392°F (200°C) continuous service.		
Dimensions	2.97" x 1.375" Dia. (75.3 x 35 mm)		
Weight	6.8 oz (192 g) with cable		
Housing	Stainless steel, hermetically sealed, exceeds NEMA 4,4x; IP65,67, intrinsically safe, cable shield grounded to housing and electrically isolated from signal.		
Air Purge	Built-in; cooling capacity to 400°F (200°C) ambient; 3' (0.9 m) polyurethane tubing provided		