

SERIES

CT

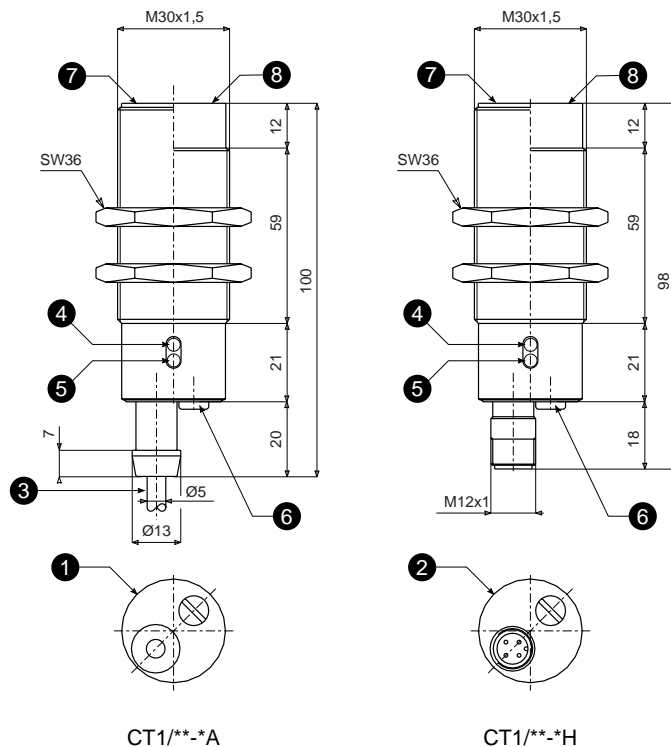


Capacitive proximity sensors
M30 - DC

- ◆ Sensitivity adjustment with 20 turns trimmer
- ◆ Metal housing
- ◆ Axial cable exit and M12 metal plug cable exit
- ◆ Double LED indicator
- ◆ Protection degree IP65
- ◆ Complete protection against electrical damages



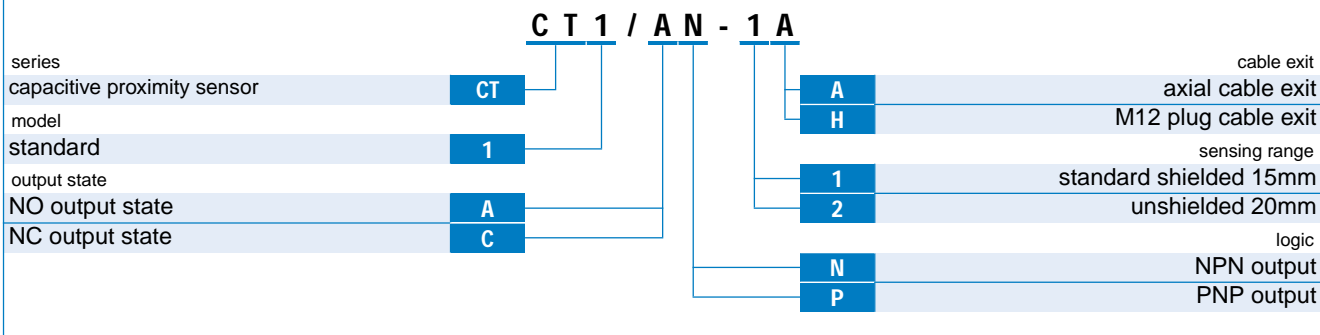
DIMENSIONAL DRAWING



Key

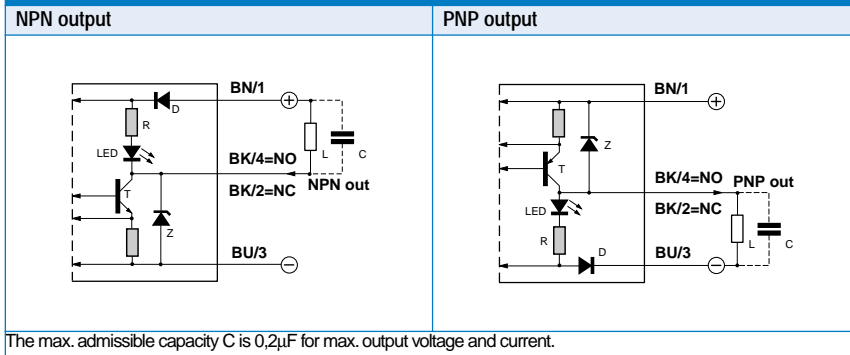
- 1 Axial cable exit
 - 2 M12 plug cable exit
 - 3 Cable 3x0,34mm², Ø5mm, PVC, 2m
 - 4 Red LED (NO output energized)
 - 5 Green LED (supply)
 - 6 Trimmer for sensitivity adjustment (20 turns)
 - 7 Shielded version
 - 8 Unshielded version
- Connectors **CD** series
Accessories **ST** series

IDENTIFICAZIONE PRODOTTO

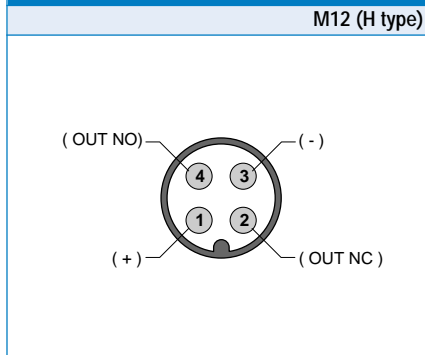


SPECIFICATIONS		
Model	CT1/**-1*	CT1/**-2*
Nominal sensing distance S_n ⁽¹⁾	2...15mm	2...20mm
Operating distance	2...12mm	2...16mm
Differential travel		2...20%
Repeat accuracy		10%
Operating voltage		10-30Vdc
Ripple		≤10%
No-load supply current		8mA
Load current		≤200mA
Leakage current		≤10μA
Voltage drop		0,75/1,8V max. $I_L=10/200mA$
Output type		NPN o PNP NO o NC
Switching frequency		100Hz
Time delay before availability		100ms
Supply electrical protection		polarity reversal, transient
Output electrical protections		short circuit (autoreset)
Temperature range		-25°...+70°C
Temperature drift		20% Sr
Protection degree (DIN 40 050)		IEC IP65
LED indicators		Green (supply), Red (NO output energized)
Housing material		nickel-plated brass
Sensing face material		PBT
Tightening torque		100Nm
Weight (approx.)		280g (cable exit), 200g(plug exit)

WIRING DIAGRAMS



CONNECTORS



CHARACTERISTIC CURVES

