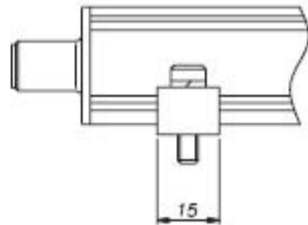
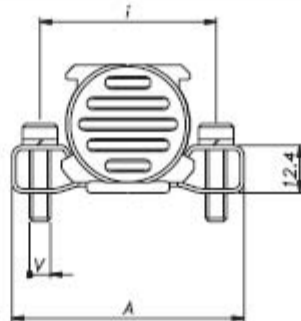


BRACKET S ON REQUEST



PKIT 0 1

Brackets	
Bracket in stainless steel, interaxis 42.5mm	090
Bracket in stainless steel, interaxis 50mm	091
Number of brackets	



Brackets code	Interaxis (i)	Screw (V)	Dimension (A)
PKIT090	42.5	M4	56
PKIT091	50	M5	63.5